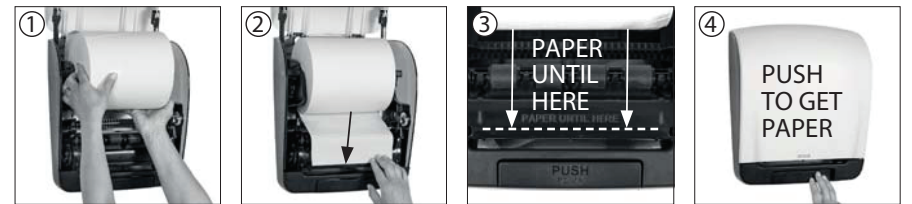


Katrin System Towel Dispenser

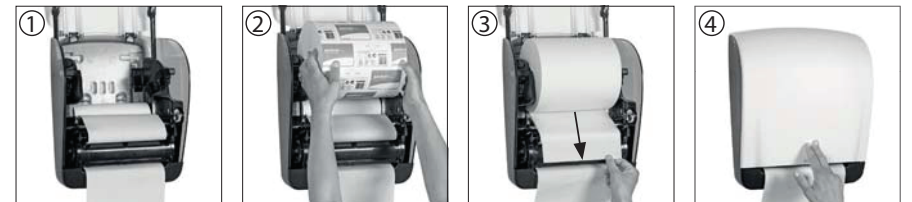


LOAD

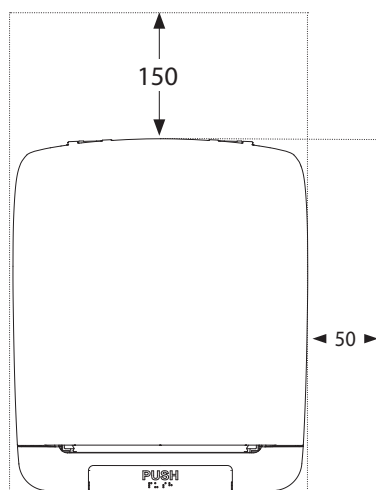
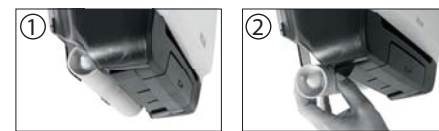


RELOAD

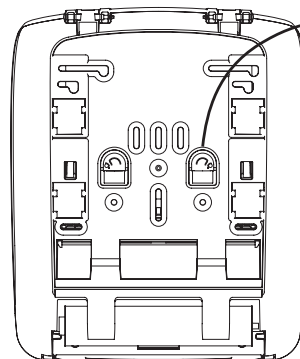
403



REST ROLL



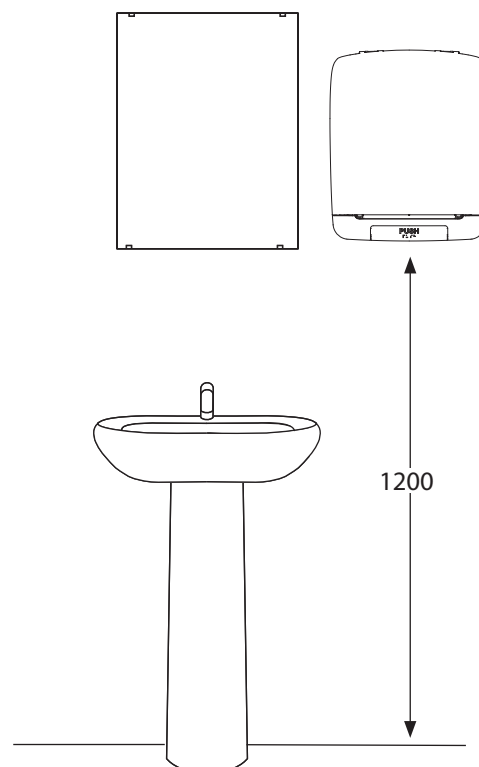
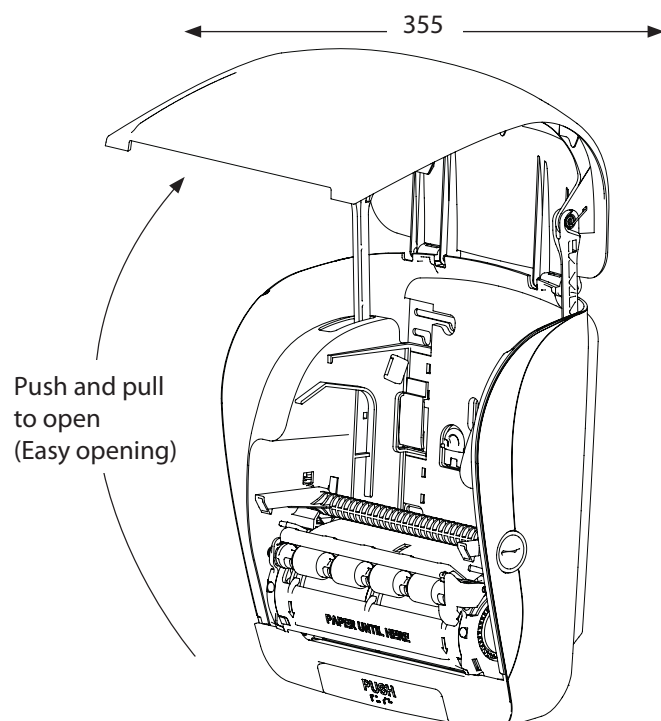
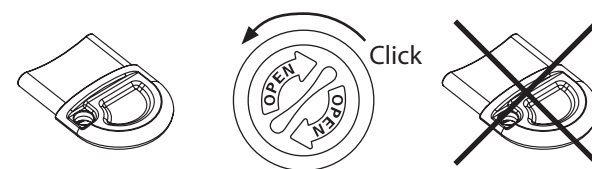
Click key out from the back plate



Open with key
(Position – key needed and turn right)



Easy opening
(Position – turn left with key once, then no key needed to open dispenser)



INSTALLATION GUIDE KATRIN SYSTEM TOWEL DISPENSER

SCALE 1:1

